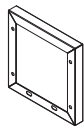
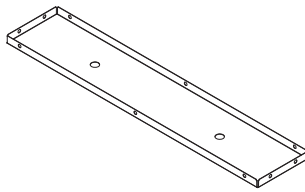


A x2



B x2



C x1



D x26



E x18



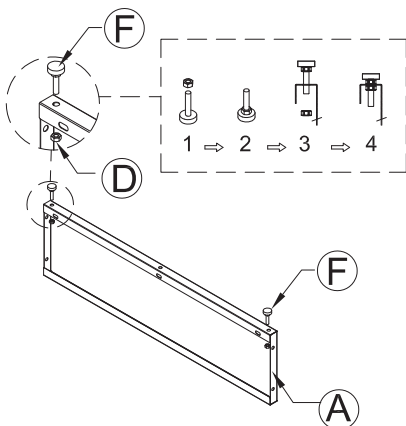
F x4



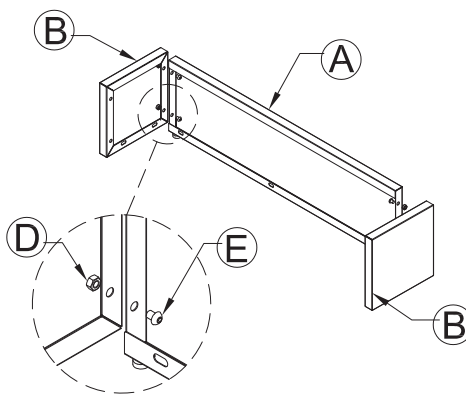
G x1



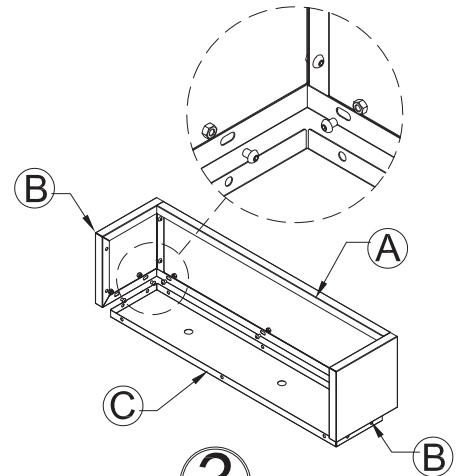
H x1



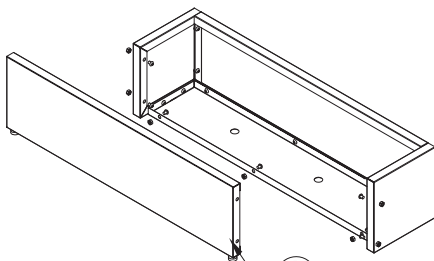
1



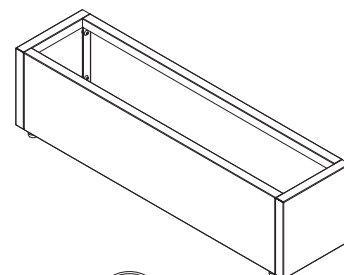
2



3



4



5